



# + GE2 HC

## 2-WAY HIGH PRESSURE BALL VALVES

**1.000.000**  
open and close



### CARBON STEEL

- Type: ball valve GE 2 HC way
- Body: block
- Material: 1,0737
- Ball seats: from DN10 up to DN32
- O-Rings: NBR, FKM, EPDM, MVQ
- Operating pressure: 500 Bar depending on valve size and seal materials selected
- Temp range: -20°C to +100°C depending on seal material selected

GE2 HC	G 1/2	DN13	1	2	M	4	A	B		
Type and way of valve GE2 HC 2-way	GAS DIN/ISO 228 BSP G 3/8 G 1/2 G 3/4 G 1 G 1 1/4	NPT ANSI/ASME B1.20.1 N 3/8 N 1/2 N 3/4 N 1 N 1 1/4	SAE J1926-1 SAE6 SAE8 SAE12 SAE16 SAE20	Nominal dimension DN10 DN13 DN20 DN25 DN32	Body material 1 1,0737	Adapter material 2 1,046	Stem material M 1,04542	Ball material 4 1,4404	Ball seat material A POM D PEEK G PA612 K GEMPTFE C PTFE	Adapter and stem seal material B NBR E FKM F EPDM L MVQ

### STAINLESS STEEL

- Type: ball valve GE 2 HC way
- Body: block
- Material: 1,4404
- Ball seats: from DN10 up to DN32
- O-Rings: NBR, FKM, EPDM, MVQ
- Operating pressure: 500 Bar depending on valve size and seal materials selected
- Temp range: -30°C to +100°C different temperatures on request

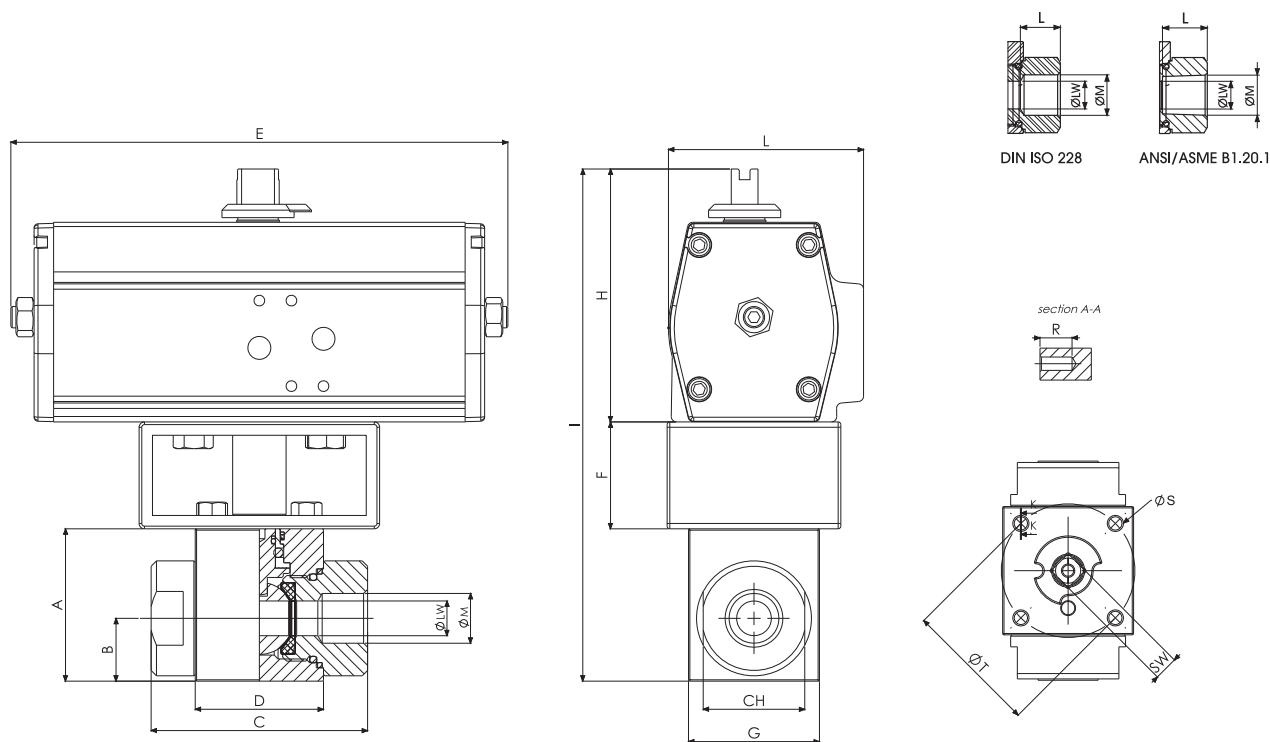
GE2 HC	G 1/2	DN13	4	4	M	4	A	B		
Type and way of valve GE2 HC 2-way	GAS DIN/ISO 228 BSP G 3/8 G 1/2 G 3/4 G 1 G 1 1/4	NPT ANSI/ASME B1.20.1 N 3/8 N 1/2 N 3/4 N 1 N 1 1/4	SAE J1926-1 SAE6 SAE8 SAE12 SAE16 SAE20	Nominal dimension DN10 DN13 DN20 DN25 DN32	Body material 4 1,4404	Adapter material 4 1,4404	Stem material M 1,04542	Ball material 4 1,4404	Ball seat material A POM D PEEK G PA612 K GEMPTFE C PTFE	Adapter and stem seal material B NBR E FKM F EPDM L MVQ



# + GE2 HC

## 2-WAY HIGH PRESSURE BALL VALVES

Specialist in Ball Valves



### GE2 HC DIN/ISO 228 BSP

Standard

																			CARBON STEEL	STAINLESS STEEL		
TYPE	PN	DN	A	B	C	D	E	F	G	H	I	L	ØM	ØTM	ØS	R	CH	SW	ØLW	KG	ITEM CODE	ITEM CODE
GE2 G 3/8	50 MPa	10	57	24,5	73	44	186	40	49	95	192	73	G 3/8	50	M6	9	32	9	10	4,095	G590203A1301T7Y	G590203A2P01T7Y
GE2 G 1/2	50 MPa	13	57	23,5	81	48	186	40	49	95	192	73	G 1/2	50	M6	9	38	9	13	4,256	G590204A1301T7Y	G590204A2P01T7Y
GE2 G 3/4	40 MPa	20	65	27	98	62	196	40	55	129	234	105	G 3/4	50	M6	9	48	14	20	8,864	G590205A1301R7Y	G590205A2P01R7Y
GE2 G 1	35 MPa	25	75	33,5	106	66	196	40	65	129	244	105	G 1	50	M6	9	50	14	25	9,922	G590206A1301P7Y	G590206A2P01P7Y
GE2 G 1 1/4	35 MPa	32	87	40,75	127	83	264	40	80	129	256	105	G 1 1/4	70	M8	12	55	14	25	15,092	G590207A1301P7Y	G590207A2P01P7Y

### GE2 ANSI/ASME B1.20.1 NPT

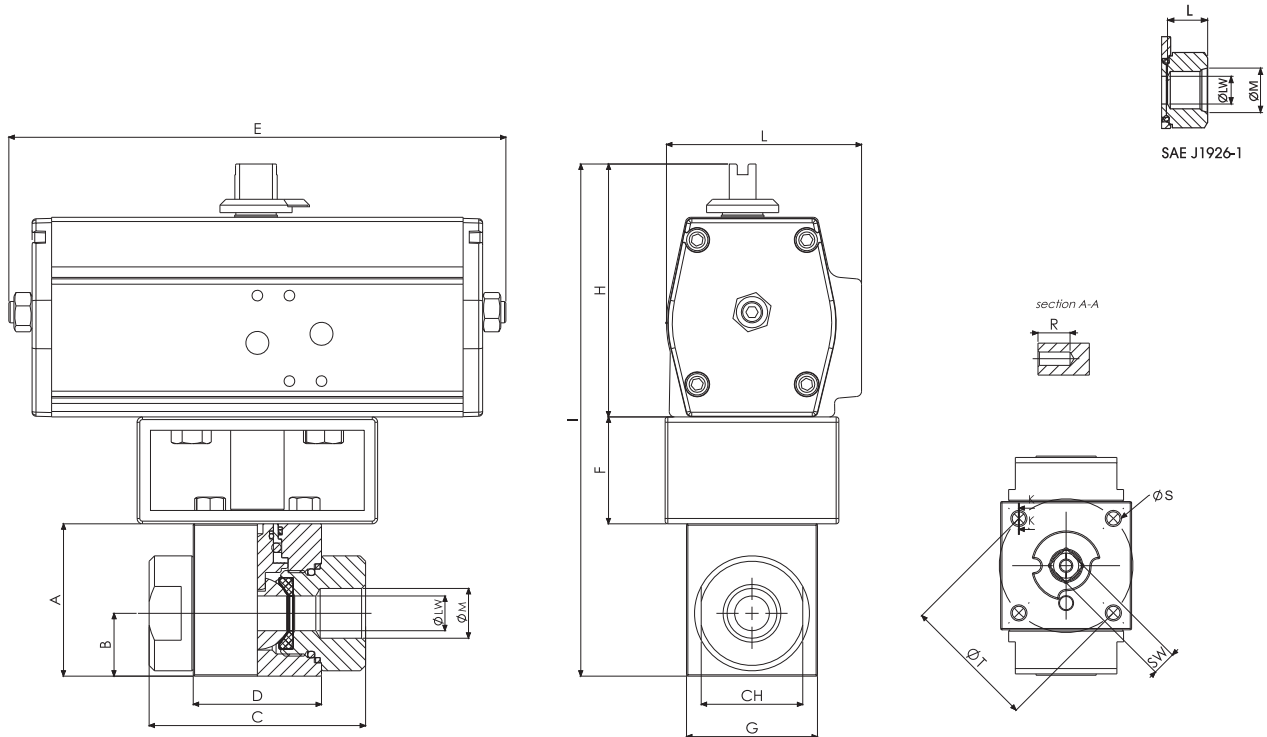
Standard

																			CARBON STEEL	STAINLESS STEEL		
TYPE	PN	DN	A	B	C	D	E	F	G	H	I	L	ØM	ØTM	ØS	R	CH	SW	ØLW	KG	ITEM CODE	ITEM CODE
GE2 N 3/8	50 MPa	10	57	24,5	73	44	186	40	49	95	192	73	N 3/8	50	M6	9	32	9	10	4,095	G590903A1301T7Y	G590903A2P01T7Y
GE2 N 1/2	50 MPa	13	57	23,5	81	48	186	40	49	95	192	73	N 1/2	50	M6	9	38	9	13	4,256	G590904A1301T7Y	G590904A2P01T7Y
GE2 N 3/4	40 MPa	20	65	27	98	62	196	40	55	129	234	105	N 3/4	50	M6	9	48	14	20	8,864	G590905A1301R7Y	G590905A2P01R7Y
GE2 N 1	35 MPa	25	75	33,5	106	66	196	40	65	129	244	105	N 1	50	M6	9	50	14	25	9,922	G590906A1301P7Y	G590906A2P01P7Y
GE2 N 1 1/4	35 MPa	32	87	40,75	127	83	264	40	80	129	256	105	N 1 1/4	70	M8	12	55	14	25	15,092	G590907A1301P7Y	G590907A2P01P7Y

# + GE2 HC

## 2-WAY HIGH PRESSURE BALL VALVES

www.gemels.it



### GE2 SAE J1926-1

Standard

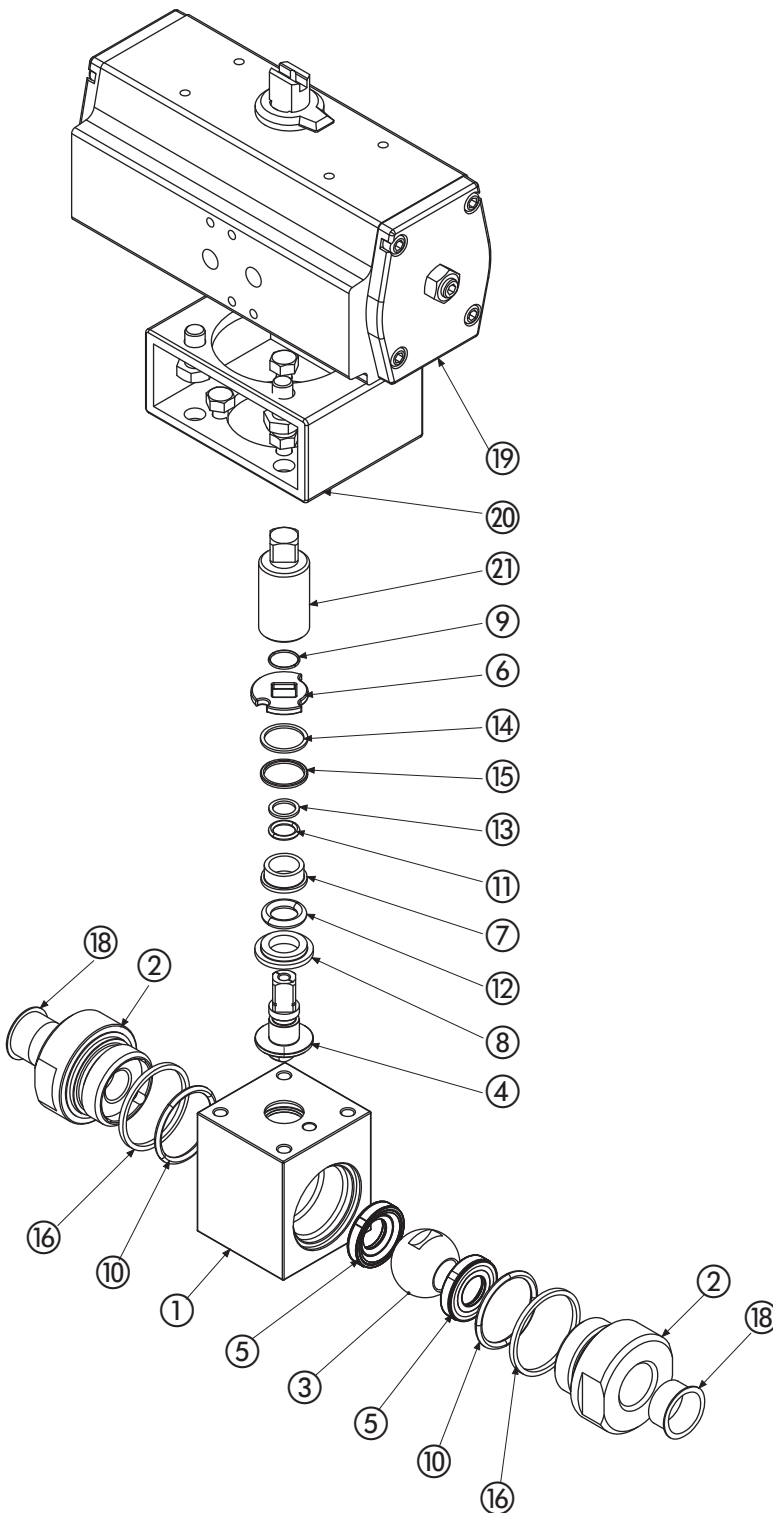
TYPE	PN	DN	A	B	C	D	E	F	G	H	I	L	ØM	ØTM	ØS	R	CH	SW	ØLW	KG	CARBON STEEL	STAINLESS STEEL
																					ITEM CODE	ITEM CODE
GE2 SAE6	50 MPa	10	57	24,5	73	44	186	40	49	95	192	73	9/16 UNF	50	M6	9	32	9	10	4,095	G590B03A1301T7Y	G590B03A2P01T7Y
GE2 SAE8	50 MPa	13	57	23,5	81	48	186	40	49	95	192	73	3/4 UNF	50	M6	9	38	9	13	4,256	G590B04A1301T7Y	G590B04A2P01T7Y
GE2 SAE12	40 MPa	20	65	27	98	62	196	40	55	129	234	105	1 1/16 UNF	50	M6	9	48	14	20	8,864	G590B05A1301R7Y	G590B05A2P01R7Y
GE2 SAE16	35 MPa	25	75	33,5	106	66	196	40	65	129	244	105	1 5/16 UNF	50	M6	9	50	14	25	9,922	G590B06A1301P7Y	G590B06A2P01P7Y
GE2 SAE20	35 MPa	32	87	40,75	127	83	264	40	80	129	256	105	1 5/8 UNF	70	M8	12	55	14	25	15,092	G590B07A1301P7Y	G590B07A2P01P7Y

# + GE2 HC

## 2-WAY HIGH PRESSURE BALL VALVES

www.gemels.it

2017 - Edition 3



### Carbon steel

Pos	Description	Material	Q.ty DN10-13	Q.ty DN20-25-32
1	Body	1,0737	1	1
2	Adapter	1,0460	2	2
3	Ball	1,4404	1	1
4	Stem	1,4542	1	1
5	Ball seat	POM	2	2
6	Washer	1,0116	1	1
7	Upper Bushing	POM - A1000	1	1
8	Lower Bushing	POM - A1000	1	1
9	Seeger	1,4301	1	1
10	Adapter o-ring	NBR	2	2
11	Stem o-ring	NBR	1	1
12	Stem o-ring	NBR	1	/
13	Stem Back-up	PTFE	1	1
14	Stem Back-up	PTFE	1	/
15	Stem quad-ring	NBR	1	1
16	Closure gasket	GRAPHITE	2	2
17	Screws	ISO 4017 8.8	8	8
18	Caps	PVC	2	2
19	Actuator	N/A	1	1
20	Connector	1,0737	1	1
21	Joint	1,0737	1	1

- On request**
- O-Ring in FKM, EPDM, HNBR, KALREZ
  - Seals in PTFE, PEEK, PA612, GEMPTFE, METAL TO METAL
  - Ball in stainless steel 1,4404

*For further special requests please consult our technical/commercial service*

### Stainless steel

Pos	Description	Material	Q.ty DN10-13	Q.ty DN20-25-32
1	Body	1,0737	1	1
2	Adapter	1,0460	2	2
3	Ball	1,4404	1	1
4	Stem	1,4542	1	1
5	Ball seat	POM	2	2
6	Washer	1,0116	1	1
7	Upper Bushing	POM - A1000	1	1
8	Lower Bushing	POM - A1000	1	1
9	Seeger	1,4301	1	1
10	Adapter o-ring	NBR	2	2
11	Stem o-ring	NBR	1	1
12	Stem o-ring	NBR	1	/
13	Stem Back-up	PTFE	1	1
14	Stem Back-up	PTFE	1	/
15	Stem quad-ring	NBR	1	1
16	Closure gasket	GRAPHITE	2	2
17	Screws	ISO 4017 8.8	8	8
18	Caps	PVC	2	2
19	Actuator	N/A	1	1
20	Connector	1,0737	1	1
21	Joint	1,0737	1	1

- On request**
- O-Ring in FKM, EPDM, HNBR, KALREZ
  - Seals in PTFE, PEEK, PA612, GEMPTFE, METAL TO METAL